

INSTALLATION AND OPERATING INSTRUCTIONS, CONTROL UNIT



CONTROL UNIT FOR
EBERSPÄCHER PARKING HEATERS

CONTENTS

CHAPTER	CHAPTER TITLE	CHAPTER CONTENTS	PAGE
1	INTRODUCTION	Please read first	3
		Safety instructions	3
		Intended use	3
		General information	3
		– Ventilation operating mode	3
		– Diagnosis	3
2	PRODUCT INFORMATION	Technical data	4
		Scope of supply / Order No.	4
		Scope of supply	5
3	INSTALLATION AND OPERATION	Installation	6
		Operation	6
		– Function of the control unit	7
		Faults	7
		– Remedial actions, if the heater doesn't start:	7
4	SERVICE	Hotline	7

1 INTRODUCTION

PLEASE READ FIRST

Before you start to install the control unit, please ensure you read through this document carefully. This document contains important information, which you need to install and use the control unit.

SAFETY INSTRUCTIONS



DANGER!

Always note and follow all information and notes, especially the safety instructions in this document and in the heater's technical description!

INTENDED USE

The control unit is used with the 8L, Airtronic, Airtronic M and Airtronic L air heaters to select the operating mode, to control the heater output and to switch on/off the heater installed in the vehicle.

PLEASE NOTE!

Improper use and use outside the specified purpose cancels all liability and warranty.

GENERAL INFORMATION

VENTILATION OPERATING MODE

VENTILATION mode is possible with the 8L air heater. With the Airtronic, Airtronic M and Airtronic L air heaters, VENTILATION mode is only possible in conjunction with the HEATING / VENTILATION changeover switch.

DIAGNOSIS

The diagnosis signal can only be displayed with the control unit for the 8L air heater.

2 PRODUCT INFORMATION

TECHNICAL DATA

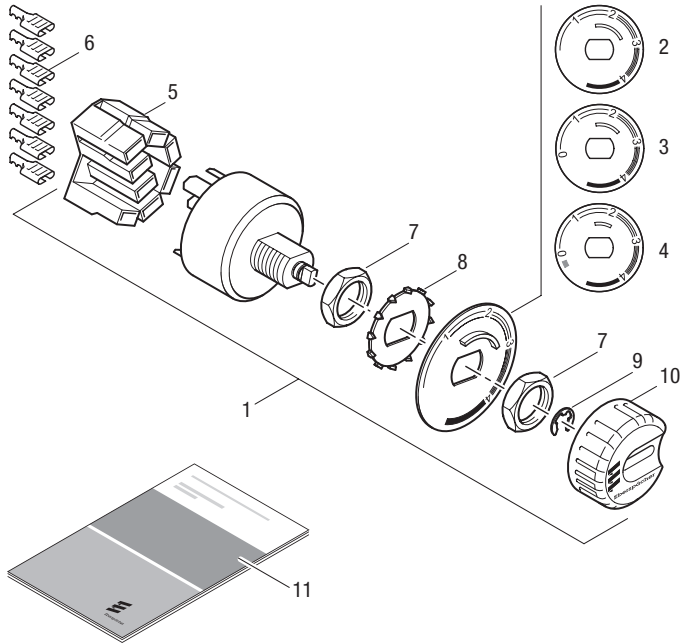
Operating voltage	12 volt / 24 volt
Dimensions	ø: 40 mm, L: 62 mm,
allowable ambient temperature	– 40 °C to 75 °C
LED current input	max. 20 mA

SCOPE OF SUPPLY / ORDER NO.

Quantity	Designation	Order No.
1	Control unit – 12 V Without electrical connection parts, with the CONTROL and CONTROL / ON/OFF / VENTILATE signs.	25.1767.71.0000
1	Control unit – 24V Without electrical connection parts, with the CONTROL and CONTROL / ON/OFF / VENTILATE signs.	25.1768.71.0000
1	Control unit – 12 V With electrical connection parts, with the CONTROL and CONTROL / ON/OFF signs.	25.1895.71.0000
1	Control unit – 24 V With electrical connection parts, with the CONTROL and CONTROL / ON/OFF signs.	25.1896.71.0000

2 PRODUCT INFORMATION

SCOPE OF SUPPLY



No. in sketch	Designation
1	Control unit 12 / 24 volt
2	CONTROL faceplate
3*	CONTROL / ON/OFF faceplate
4**	CONTROL / ON/OFF / VENTILATE faceplate
5*	Connector housing, 8 pin
6*	Receptacles (7×)
7	Fastening nut
8	Toothed lock washer
9	Circlip
10	Rotary knob
11	Installation and operating instructions

* not included in the scope of supply of
25.1767.71.0000 and 25.1768.71.0000.

** not included in the scope of supply of
25.1895.71.0000 and 25.1896.71.0000.

3 INSTALLATION AND OPERATION

INSTALLATION



CAUTION!

When drilling the fixing and connection holes in the dashboard, concealed components behind it could be damaged.

- ➔ Check that the space behind the installation area is free from components.

Install the control unit in a suitable place, for example, on the dashboard, within the driver's view and connect as shown in the sketch, [see page 5](#), and the circuit diagram in the technical description of the heater.

INSTALLATION STEPS

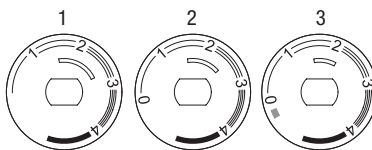
- Drill a hole \varnothing 15.5 mm in the place in which the control unit is to be installed.
- Crimp the receptacles onto the control cable loom and plug into the 8-pin connector housing.

PLEASE NOTE!

Note and follow the circuit diagram in the technical description of the heater.

- Connect the control cable loom with the 8-pin connector housing to the control unit.
- Turn the rotary controller of the control unit to the left, up to the limit stop.
- Screw the rear nut onto the threaded connection of the control unit so that approx. 2 thread turns are visible between the nut and the control unit (depending on the wall thickness of the mounting surface).
- Insert the control unit with fastening nut and pushed on toothed lock washer into the \varnothing 15.5 mm hole from behind.

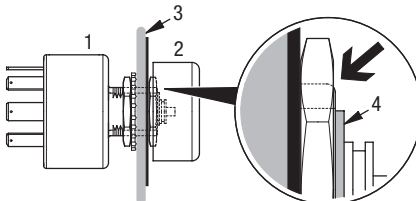
- Push the appropriate faceplate onto the threaded connection from the front.



- 1 Faceplate – Control
- 2 Faceplate – Control / ON/OFF
- 3 Faceplate – Control / ON/OFF / VENTILATE

PLEASE NOTE!

When installation of the control unit is finished the front nut and the circlip must end flush with the threaded connection, see sketch. In this way the limit stop on the faceplate can engage in the rotary knob and stop on its limiting lug.



- 1 Control unit
- 2 Rotary knob
- 3 Mounting surface, e.g. dashboard
- 4 Circlip

- Screw the front nut onto the threaded connection.
- Align the control unit together with the faceplate and fasten.
- Push the rotary knob onto the control unit. The round recess of the rotary knob must face towards the left.
- Push the circlip onto the threaded connection in front of the nut.

3 INSTALLATION AND OPERATION

PLEASE NOTE!

The circlip on the threaded connection may not be removed. It provides mechanical protection for the electronics. Failure to comply results in expiry of the guarantee protection.

OPERATION

The control unit enables you use the heater installed in the vehicle to heat or ventilate the vehicle interior to your preferred temperatures.

FUNCTION OF THE CONTROL UNIT

RED SETTING RANGE

- HEATING – Turn the rotary knob to the right to increase the heat output.

SWITCH POSITION “0”

- HEATER OFF – after switching off the heater continues running automatically to cool down.

BLUE FIELD

- VENTILATING – only possible if wired accordingly, see [“Ventilation operating mode” chapter](#).

ILLUMINATED FIELD IN ROTARY KNOB

- RED LED lights up if the vehicle lighting is switched on.
- GREEN LED lights up if the heater is switched on (operating display light).

FAULTS

DISPLAY IN CASE OF FAULTS

- IRREGULARLY FLASHING GREEN LED (only with air heater 8L) fault, go to a garage/repair workshop
- UNIFORMLY FLASHING GREEN LED (only with air heater 8L) overheating – remove the cause, e.g. blocked heating air ducts.

REMEDIAL ACTIONS, IF THE HEATER DOESN'T START:

- Check the fuses.
- Switch the heater off and on again.

PLEASE NOTE!

Do not switch the heater on and off again more than twice. If you are unable to correct the fault, go to a garage/repair workshop.

4 SERVICE

TECHNICAL SUPPORT

If you have any technical questions or problems with the unit, the control unit or the operating software, please contact the following service address:
support-UK@eberspaecher.com

Headquarters:

Eberspächer Climate Control Systems

GmbH & Co. KG

Eberspächerstraße 24

73730 Esslingen

info@eberspaecher.com

www.eberspaecher.com



Eberspächer